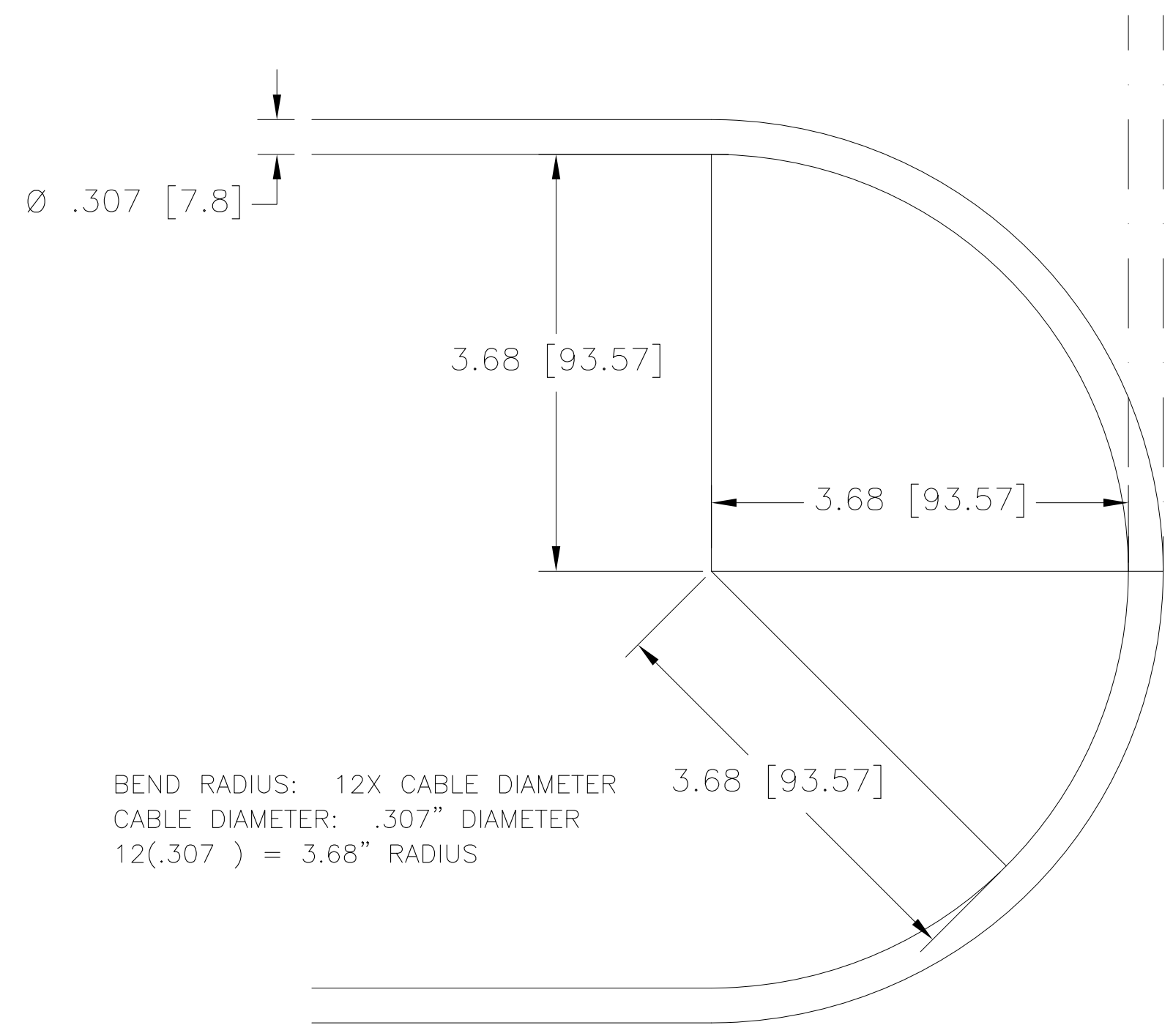
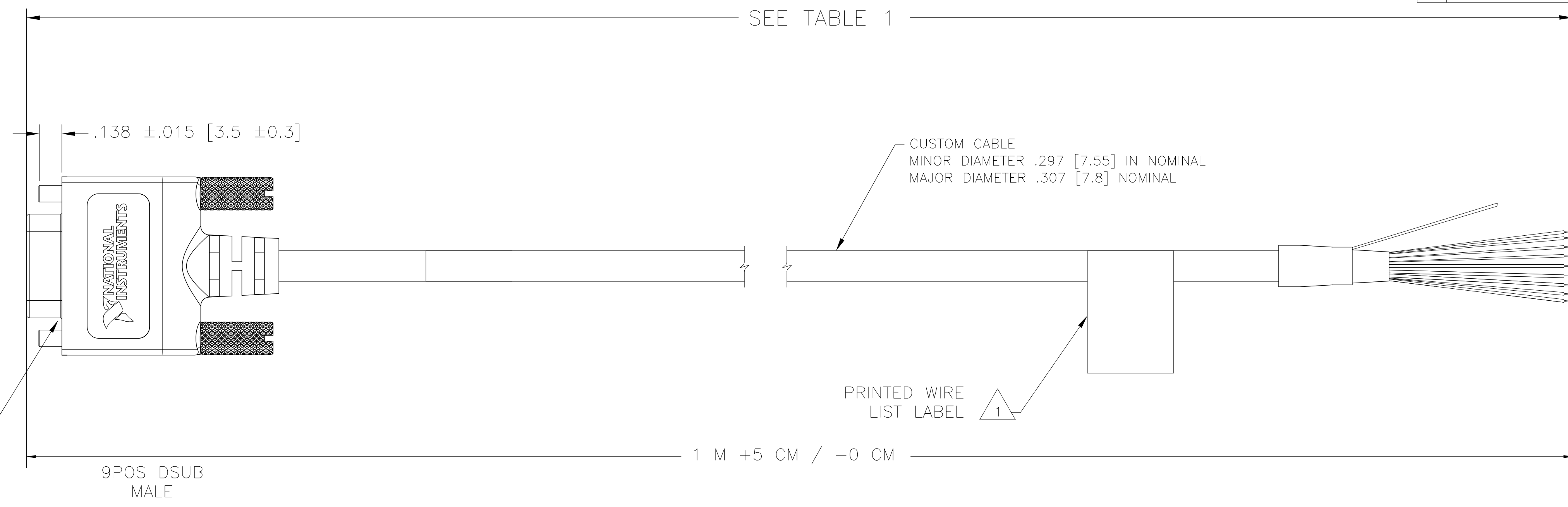
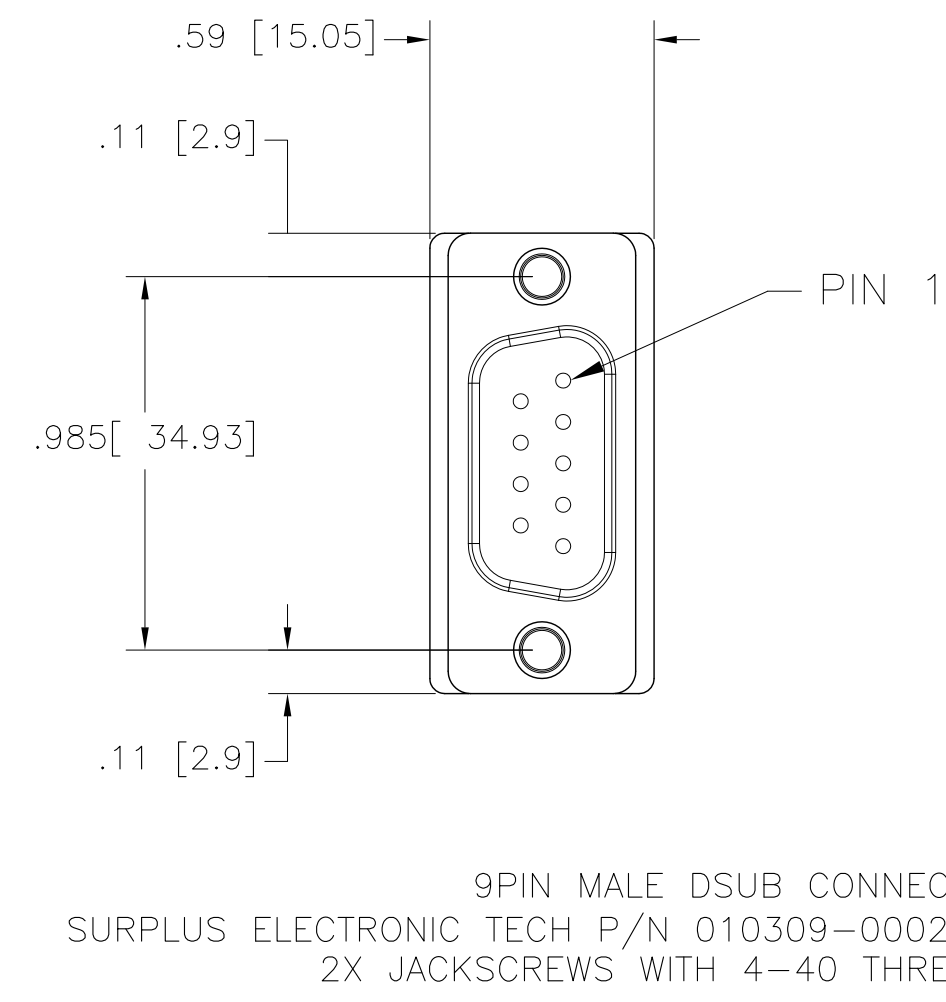


CUSTOMER DRAWING COMPATIBILITY			
REV	DESCRIPTION	DATE	APPROVED
A	DRAWING COMPATIBLE, RELEASED		



BEND RADIUS: 12X CABLE DIAMETER  
 CABLE DIAMETER: .307" DIAMETER  
 $12(.307) = 3.68$ " RADIUS

BEND RADIUS EXAMPLE

CONDUCTOR SPECIFICATIONS:

CONDUCTOR: 26AWG 7/34 TIN PLATED COPPER, .015 INCH DIAMETER  
 INSULATION: .009 INCHES OF SR-PVC, .051 INCH DIAMETER  
 BEND RADIUS: 12X CABLE DIAMETER (SEE EXAMPLE) PER SPECIFICATIONS  
 2014 NEC SECTION 300.34 CONDUCTOR BEND RADIUS  
 2014 NEC SECTION 300.24 BENDING RADIUS

1. REFER TO PRODUCT MANUAL ON NI.COM FOR MORE DETAILS.  
 NOTES: UNLESS OTHERWISE SPECIFIED.

WIRE LIST		
P1 PIN #	COLOR	P2
1	BLACK	OPEN END
2	BROWN	
3	RED	
	DRAIN/INNER SHIELD	
4	ORANGE	
5	YELLOW	
6	GREEN	
7	BLUE	
8	PURPLE	
9	GRAY	
SHELL	BRAID/OUTER SHIELD	WHITE

DSUB PIN #	COLOR
1	BLACK
2	BROWN
3	RED
4	ORANGE
5	YELLOW
6	GREEN
7	BLUE
8	PURPLE
9	GRAY
SHELL	WHITE

PRINTED WIRE LIST

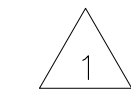


TABLE 1	
LENGTH	TOLERANCE
<2M	+5 CM/-0 CM
2 TO 5M	+10 CM/-0 CM
>5M	+15 CM/-0 CM

CUSTOMER DRAWING

UNLESS OTHERWISE SPECIFIED DIMENSIONS ARE IN INCHES AND [MILLIMETERS]

DO NOT SCALE DRAWING  
THIRD ANGLE PROJECTION

**NATIONAL INSTRUMENTS®** AUSTIN, TEXAS

TITLE: DB9M-PIGTAIL

SIZE: D 7U296 CODE IDENT NO.: DRAWING NO.: 01/28/19

SCALE: 1/1 SHEET 1 OF 1